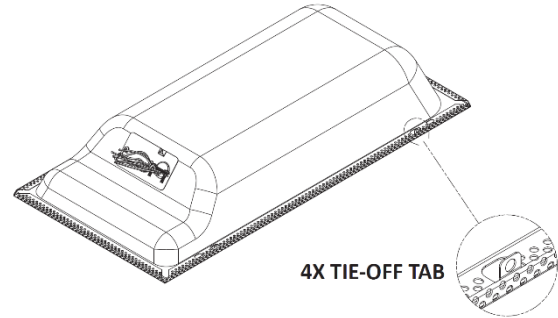


## Spoke™ Drop-In Ceiling Tiles Speakers Installation Guide

### Introduction

This document provides installation guidance for the G2 Spoke drop-in ceiling tile speakers, both the 1' x 2' and 2' x 2' sizes. As with any such project, proper safety procedures should be followed, and the work should be performed by qualified personnel.



### Preparation

For 2' x 2' ceiling tiles

- For a Spoke 2' x 2' drop-in ceiling tile speaker – the Spoke 2' x 2' drop-in ceiling tile speaker does not require any preparation, it will be a direct replacement for the tile
- For a Spoke 1' x 2' drop-in ceiling tile speaker - cut the existing 2' x 2' tile in half

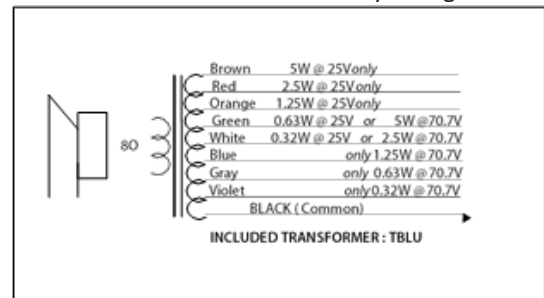
For 2' x 4' ceiling tiles

- For a Spoke 2' x 2' drop-in ceiling tile speaker – cut the 2' x 4' tile on the short axis
- For a Spoke 1' x 2' drop-in ceiling tile speaker – halve the 2' x 4' tile on the short axis

### Wiring

Steps A and B are required only if using a conduit clamp fitting other than what is provided with product.

- Loosen, but do not remove, the screws on the cover plate; push up and remove the plate from the assembly.
- Remove the cable/conduit clamp fitting from the plate; install UL Listed metallic enclosure entry fitting for plenum cable or flex whip.
- Feed the supply cable through the whip to the connector. Make connections per the wiring diagram at right; insulate all unused taps from each other and from the enclosure. When the cover plate is secured, all connections/splices and unused leads must be inside the enclosure.



### Installation

- Place assembly onto ceiling grid, install 24" T-bar trim piece where required (furnished only with specific 1'x2' formats).
  - AHJ/ local codes may require tie-off to structure. Bend up tie-off tabs as shown in illustration and install as directed.
  - AHJ/ local codes may require tie-down to grid. Recommended fasteners; not supplied: Erico/Caddy part ATA4i and 1/4"-20 x 2" bolt, or equivalent. Install as directed.
- Place remaining ceiling tile into opening as required.